

DATA SHEET

Product Name Power Alloy Wire-wound Resistors

Part Name QH、QL、QW、QR、QRZG Series

File No. DIP-SP-050

Uniroyal Electronics Global Co., Ltd.

88#, Longteng Road, Economic & Technical Development Zone, Kunshan, Jiangsu, China

Tel +86 512 5763 1411 / 22 /33

Email marketing@uni-royal.cn

Manufacture Plant Uniroyal Electronics Industry Co., Ltd.

Aeon Technology Corporation

Royal Electronic Factory (Thailand) Co., Ltd.

Royal Technology (Thailand) Co., Ltd.

1. Scope:

- 1.1 This datasheet is the characteristics of power alloy wire-wound Resistors manufactured by UNI-ROYAL.
- 1.2 Multi-terminal type & variable types available
- 1.3 Small in size but capable of carrying high power load
- 1.4 Resistance value unchanged after long use , good resistivity to short time overload
- 1.5 High resistivity to heat, small resistance temperature coefficient and the change in resistance with temperature being linear
- 1.6 Too low or high ohmic value can be supplied case to case basis
- 1.7 Adjustable & Multi-Resistor type is available
- 1.8 Non-inductive type is available
- 1.9 Compliant with RoHS directive.
- 1.10 Halogen free requirement.

2. Part No. System

The standard Part No. includes 14 digits with the following explanation:

2.1 For Cement Fixed Resistors, these 4 digits are to indicate the product type but if the product type has only 3 digits, the 4th digit will be “0”

Example: QH00=QH type; QL00=QL type ; QR00=QR Type; QRZG=QRZG Type

2.2 5th~6th digits:

2.2.1 For power rating between 20 watt to 99 watt, the 5th and the 6th digit will show the whole numbers of the power rating itself

Example:

20=20W; 75=75W

2.2.2 For power rating of 100W and over, the 5th & the 6th digits will be indicated with “00” and the actual wattage being indicated at the last 3 digits (12th~14th) of the part No.

2.3 The 7th digit is to denote the Resistance Tolerance. The following letter code is to be used for indicating the standard Resistance Tolerance.

F=±1% G=±2% J=±5% K=±10%

2.4 The 8th to 11th digits is to denote the Resistance Value.

2.4.1 For the standard resistance values of E-24 series, the 8th digit is “0”, the 9th & 10th digit are to denote the significant figures of the resistance and the 11th digit is the numbers of zeros following.

Example:

0120=12Ω 0273=27KΩ

2.5 The 12th, 13th & 14th digits.

2.5.1 The 12th digit is to denote the Packaging Type with the following codes:

B=Bulk/Box

2.5.2 The 13th digit is normally to indicate the Packing Quantity, This digit should be filled with “0” for the Cement products with “Bulk/Box” packing requirements.

2.5.3 For some items, the 14th digit alone can use to denote special features of additional information with the following codes or standard product

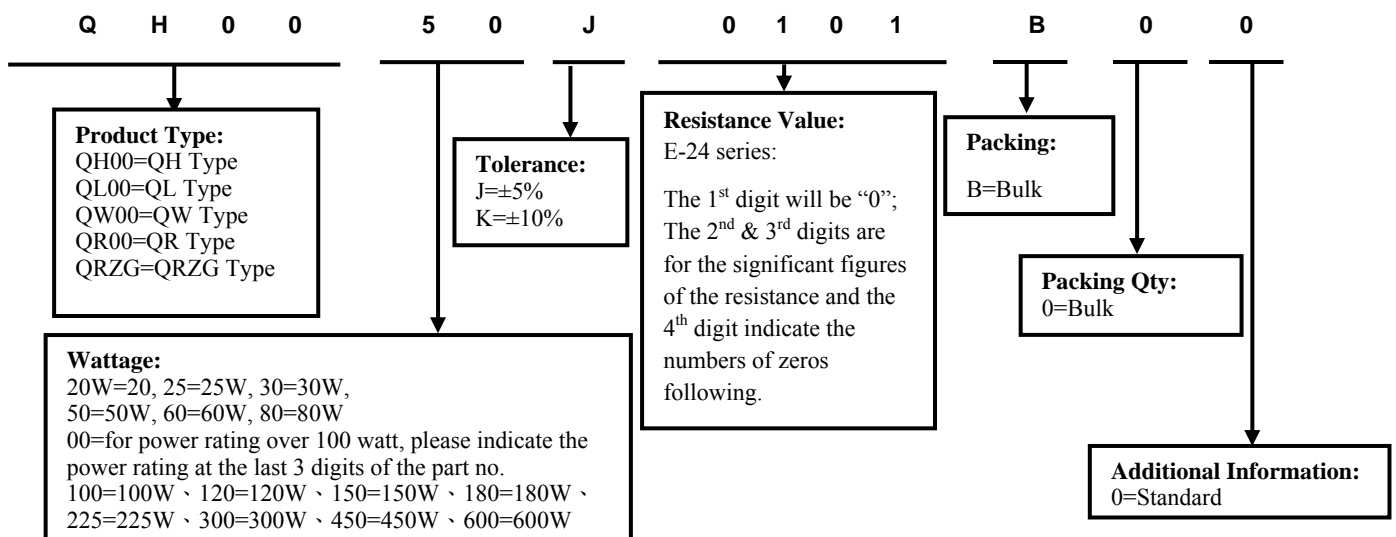
Example: 0= standard product

2.5.4 for power rating over 100 watt, please indicate the power rating at the last 3 digits of the part no.

Example: 100=100W ; 120=120W

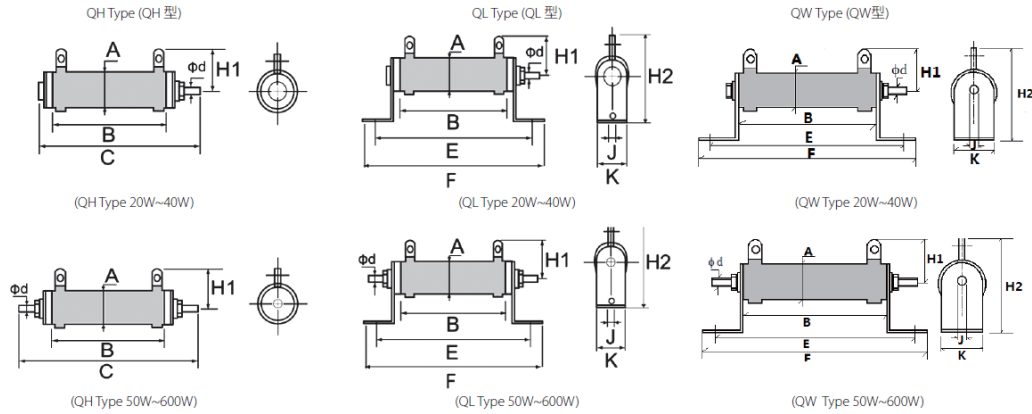
3. Ordering Procedure

(Example: QH 50W ±5% 100 Ω B/B)



4. Ratings & Dimension

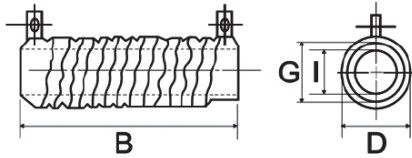
QH&QL Type:



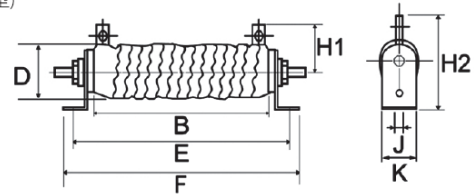
Type	Dimension (mm)										Resistance Range
	A±2	B	C±2	E	F	H1±2	H2±2	J±1	K±1	Φd±0.05	
QH/QL20W	22	50±2	70	75±2	102±2	25	50	5	19	4	1Ω~10KΩ
QW20W				66±2	93±2						
QH/QL25W	22	60±2	91	84±2	110±2	25	50	5	19	4	2Ω~12KΩ
QW25W				75±2	101±2						
QH/QL30W	22	75±2	95	99±2	126±2	25	50	5	19	4	2Ω~15KΩ
QW30W				90±2	117±2						
QH/QL40W	22	90±2	112	114±2	141±2	25	50	5	19	4	2Ω~20KΩ
QW40W				105±2	132±2						
QH/QL50W	30	75±2	110	103±2	133±2	34	64	6.3	27	5	3Ω~25KΩ
QW50W				91±2	121±2						
QH/QL60W	30	90±2	126	117±2	147±2	34	64	6.3	27	5	3Ω~30KΩ
QW60W				105±2	135±2						
QH/QL80W	30	115±2	150	143±2	173±2	34	64	6.3	27	5	3Ω~40KΩ
QW80W				131±2	161±2						
QH/QL100W	30	140±2	173	166±2	197±2	34	64	6.3	27	5	3Ω~50KΩ
QW100W				154±2	185±2						
QH/QL120W	30	165±2	200	193±2	223±2	34	64	6.3	27	5	4Ω~60KΩ
QW120W				181±2	211±2						
QH/QL150W	30	195±2	230	224±2	254±2	34	64	6.3	27	5	4Ω~70KΩ
QW150W				212±2	242±2						
QH/QL200W	30	254±2	289	282±2	312±2	34	64	6.5	27	5	5Ω~100KΩ
QW200W				270±2	300±2						
QH/QL300W	42	254±2	292	285±2	332±2	45	87	6.5	39	5	8Ω~150KΩ
QW300W				273±2	320±2						
QH/QL400W	42	330±3	364	364±3	410±3	45	87	6.5	39	5	10Ω~200KΩ
QW400W				352±3	398±3						
QH/QL600W	42	420±3	458	451±3	498±3	45	87	6.5	39	5	10Ω~200KΩ
QW600W				439±3	486±3						

QR&QRZG Type:

QR Type (QR 型)



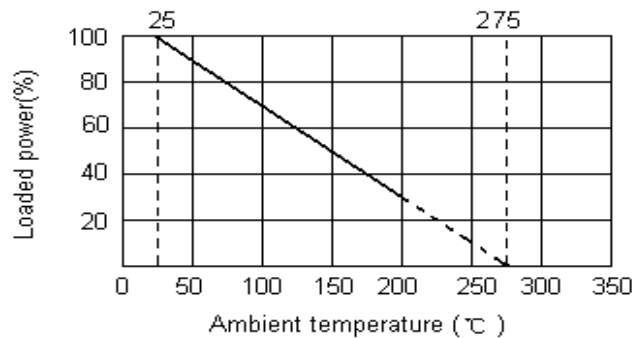
QRZG Type (QRZG 型)



Type	Dimension(mm)										Resistance Range
	B	D±4	E	F	G±2	H1±2	H2±2	I±2	J±1	K±1	
QR/QRZG120W	115±2	36	143±2	173±2	28	34	64	16	6.3	27	0.2Ω~4Ω
QR/QRZG150W	140±2	36	166±2	197±2	28	34	64	16	6.3	27	0.3Ω~5Ω
QR/QRZG180W	165±2	36	193±2	223±2	28	34	64	16	6.3	27	0.3Ω~6Ω
QR/QRZG225W	195±2	36	224±2	254±2	28	34	64	16	6.3	27	0.4Ω~8Ω
QR/QRZG300W	254±2	36	282±2	312±2	28	34	64	16	6.3	27	0.5Ω~10Ω
QR/QRZG450W	254±2	48	285±2	332±2	40	45	87	25	6.5	39	0.8Ω~15Ω
QR/QRZG600W	330±3	48	364±3	410±3	40	45	87	25	6.5	39	1Ω~20Ω
QR/QRZG750W	300±3	58	332±3	384±3	50	57	102	34	8	48	1Ω~75Ω
QR/QRZG1000W	390±3	58	423±3	475±3	50	57	102	34	8	48	1Ω~100Ω

5. Derating Curve

Derating curve:



5.1 Voltage rating:

Resistors shall have a rated direct-current (AC) continuous working voltage or an approximate sine-wave root-mean-square (RMS) alternating-current (AC) continuous working voltage at commercial-line frequency and waveform corresponding to the power rating, as determined from the following formula:

$$RCWV = \sqrt{P \times R}$$

Where: RCWV = rated dc or RMS ac continuous working voltage at commercial-line frequency and waveform (VOLT.)

P = power rating (WATT.)

R = nominal resistance (OHM)

6. Performance Specification

Characteristic	Limits	Test Methods (GB/T5729&JIS-C-5201&IEC60115-1)
Temperature Coefficient	$\geq 20\Omega$: $\pm 300\text{PPM}/^\circ\text{C}$ $< 20\Omega$: $\pm 400\text{PPM}/^\circ\text{C}$	4.8 Natural resistance changes per temp. Degree centigrade $\frac{R_2 - R_1}{R_1(t_2 - t_1)} \times 10^6 \text{ (PPM}/^\circ\text{C)}$ R_1 : Resistance Value at room temperature (t_1) ; R_2 : Resistance at test temperature (t_2) t_1 : $+25^\circ\text{C}$ or specified room temperature t_2 : Test temperature (-55°C or 125°C)
Short-time overload	Resistance change rate is: $\pm(5\%+0.05\Omega)\text{Max.}$ With no evidence of mechanical damage.	4.13 Permanent resistance change after the application of a potential of 2.5 times RCWV or Max.Overload Voltage whichever less for 5 seconds.
Insulation resistance	Insulation resistance is: 20 M Ω Min.	4.6 The measuring voltage shall be equal to the dielectric withstanding voltage for resistor with an isolation voltage $< 500\text{V}$ or $(500\pm 50)\text{V}$ DC, for resistors with an isolation voltage $\geq 500\text{V}$.
Dielectric withstanding voltage	No evidence of flashover mechanical damage, arcing or insulation break down.	4.7 Resistors shall be clamped in the trough of a 90° metallic V-block and shall be tested at AC potential respectively specified in the above list for 60-70 seconds.for cement fixed resistors the testing voltage is 1000V.
Terminal strength	No evidence of mechanical damage	4.16 Direct load: Resistance to a 2.5Kg direct load for 10 seconds in the direction of the longitudinal axis of the terminal leads. Twist test: Terminal leads shall be bent through 90° at a point of about 6mm from the body of the resistor and shall be rotated through 360° about the original axis of the bent terminal in alternating direction for a total of 3 rotations.
Resistance to soldering heat	Resistance change rate is: $\pm(1\%+0.05\Omega)\text{Max.}$ With no evidence of mechanical damage	4.18 Permanent resistance change when leads immersed to a point 2.0-2.5mm from the body in $260^\circ\text{C}\pm 5^\circ\text{C}$ solder for 10 ± 1 seconds.
Solderability	95% coverage Min.	4.17 The area covered with a new, smooth, clean, shiny and continuous surface free from concentrated pinholes. Test temp. Of solder: $245^\circ\text{C}\pm 3^\circ\text{C}$ Dwell time in solder: 2~3seconds.
Humidity (Steady state)	Resistance change rate is: $\pm(5\%+0.05\Omega)\text{Max.}$ With no evidence of mechanical damage.	4.24 Temporary resistance change after 240 hours exposure in a humidity test chamber controlled at $40\pm 2^\circ\text{C}$ and 90~95%RH relative humidity
Load life	Resistance change rate is: $\pm(5\%+0.05\Omega)\text{Max.}$ With no evidence of mechanical damage.	4.25.1 Permanent Resistance change after 1000 hours operating at RCWV or Max.Working Voltage whichever less with duty cycle of 1.5 hours "ON" , 0.5 hour "OFF" at $25\pm 2^\circ\text{C}$ ambient.
Low Temperature Storage	Resistance change rate is: $\pm(5\%+0.05\Omega)\text{Max.}$ With no evidence of mechanical damage.	IEC 60068-2-1 (Aa) Lower limit temperature , for 2H.
High Temperature Exposure	Resistance change rate is: $\pm(5\%+0.05\Omega)\text{Max.}$ With no evidence of mechanical damage.	MIL-STD-202 108A Upper limit temperature , for 16H.

7. Note

- 7.1. UNI-ROYAL recommend products store in warehouse with temperature between 15 to 35°C under humidity between 25 to 75%RH.
 Even under storage conditions recommended above, solder ability of products will be degraded stored over 1 year old.
- 7.2. Cartons must be placed in correct direction which indicated on carton, otherwise the reel or wire will be deformed.
- 7.3. Storage conditions as below are inappropriate:
- a. Stored in high electrostatic environment
 - b. Stored in direct sunshine, rain, snow or condensation.
 - c. Exposed to sea wind or corrosive gases, such as Cl₂, H₂S, NH₃, SO₂, NO₂, Br etc.

8. Record

Version	Description	Page	Date	Amended by	Checked by
1	First version	1~6	Mar.20, 2018	Haiyan Chen	Nana Chen
2	Modify characteristic	4~5	Feb.26, 2019	Haiyan Chen	Yuhua Xu
3	Modify characteristic	5	Nov.20,2020	Song Nie	Yuhua Xu
4	Modify the temperature coefficient test conditions	4	Nov.07, 2022	Haiyan Chen	Yuhua Xu
5	Add the QW type	1~6	May.15, 2023	Haiyan Chen	Yuhua Xu
6	Cancel load life in humidity test Modify the load life test conditions	5	Sep.28, 2024	Haiyan Chen	Yuhua Xu

© Uniroyal Electronics Global Co., Ltd. All rights reserved. Specification herein will be changed at any time without prior notice